

CONNECTING FLANGE PRICE LIST - USA

Validity: 31 January 2011 - 31 January 2012

Manufacturer: KÖNYVES és FIA KFT

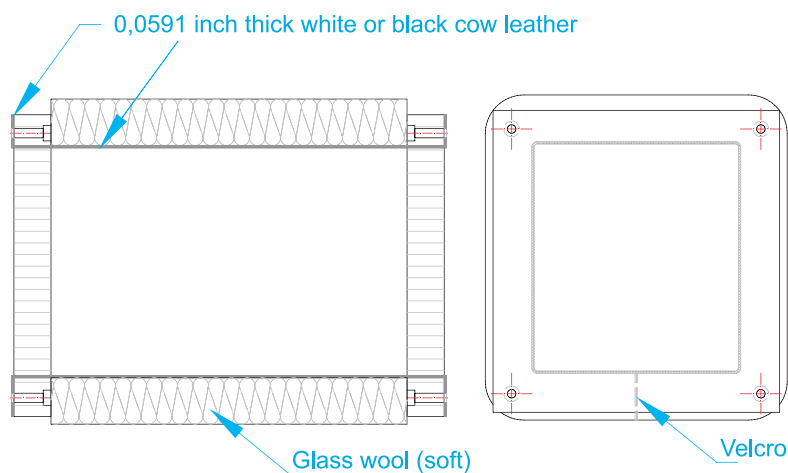
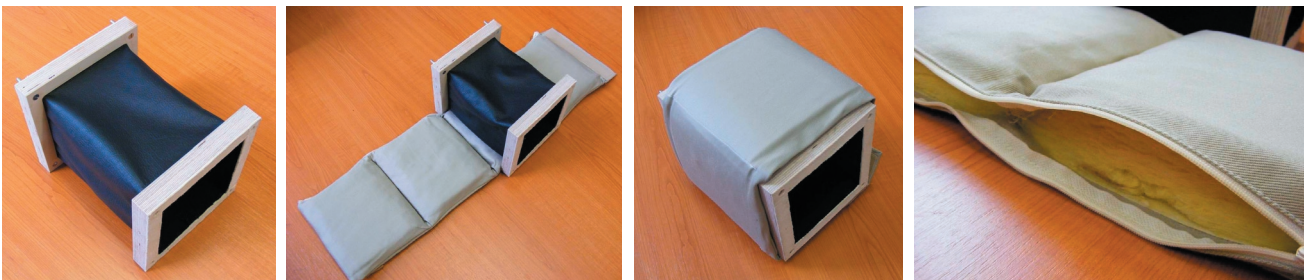
H-9061 Vámoszabadi, Hild J. u. 5. • Tel.: 00 36/96 560 058 • Fax: 00 36/96 319 484 • Mobil: 00 36/30 747 3683

E-mail: konyves@orgonafuvo.hu • Web: www.orgonafuvo.hu

CONNECTING FLANGE FOR ORGAN BLOWER OF TYPE LVM / LVM2

Order Nr.	for TYPE LVM / LVM2	PRICE - USD		
		Connecting flange	Sound-isolation	Connecting flange with sound-isolation
1001.	LVM-003	\$	\$	\$
1002.	LVM-005	\$	\$	\$
1003.	LVM-008	\$	\$	\$
1004.	LVM-012	\$	\$	\$
1005.	LVM-014	\$	\$	\$
1006.	LVM-020	\$	\$	\$
1007.	LVM2-003	\$	\$	\$
1008.	LVM2-005	\$	\$	\$

Connecting flange can equip with sound-isolation.



We deliver it only with organ-blower!

The prices do not include VAT. The prices include the delivery charges, packaging costs and customs clearance.

The prices may change for deliveries in other countries of the American continent!